

SPEC SHEET
PX1200

Interchangeable with
CEC Model 1200

\$1400
Model Shown

SPUTTERED THIN FILM HIGH OUTPUT PRESSURE TRANSDUCER

PX1200 Series
0-5Vdc Output
0-15 to 0-10,000 psi
0-1 to 0-700 bar

1 bar = 14.5 psi
1 kg/cm² = 14.22 psi
1 Atmosphere = 14.7 psi =
29.93 in-Hg = 760.2 mm-Hg =
1.014 bar



Model PX1200L1-100A5T \$1400
Shown Actual Size

- ✓ Proven Sensor Design
- ✓ 5 Volt Output
- ✓ Rugged Dual Case Isolation
- ✓ High Performance
- ✓ Highly Reliable
- ✓ Long-term Stability

For Sales and Service
In U.S.A. and Canada

1-800-872-3963
1-800-USA-DYNE

International Customers Dial
(614) 965-9340
24-Hour FAX (614) 965-9438

OMEGADYNESM FAX

OMEGADYNE's 24-Hour
On-Line Publishing Service

1-800-344-3963
1-800-DIG-DYNE

Document # 3725

OMEGADYNE, Inc.
149 Stelzer Court, Sunbury, OH 43074
<http://www.omegadyne.com>
e-mail: info@omegadyne.com

Formerly
THI THYDRONICS, INC.

© COPYRIGHT 1996 OMEGADYNE, INC. ALL RIGHTS RESERVED.



Printed On Recycled Paper

Prices Shown in U.S. Dollars

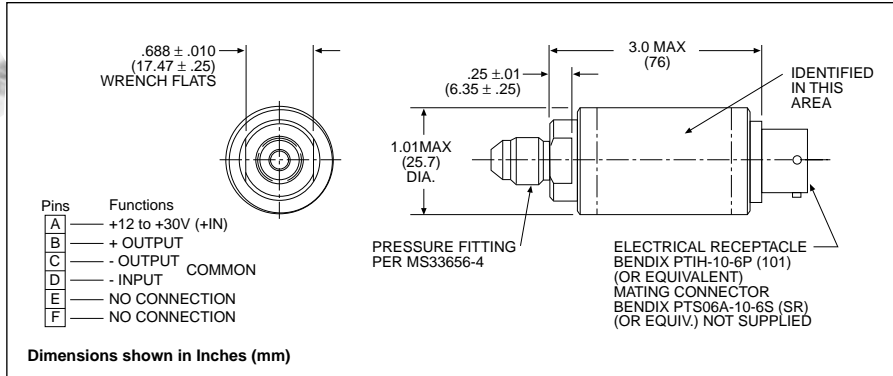
To Order: (Specify Model Number)			
Models with mV/V Output, MS33656-4 Fitting and Bendix Connector			
Range (psi)	Model Number	Price	Compatible Meters
Absolute Pressure (All Ranges Available in Absolute Pressure)			
0-15	PX1200L1-015A5T	\$1400	INFS, INFCS
0-25	PX1200L1-025A5T	1400	INFS, INFCS
0-50	PX1200L1-050A5T	1400	INFS, INFCS
0-100	PX1200L1-100A5T	1400	INFS, INFCS
Gage Pressure (Sealed Gage Pressure Available ≥ 100 psi)			
0-15	PX1200L1-015G5T	1400	INFS, INFCS
0-25	PX1200L1-025G5T	1400	INFS, INFCS
0-50	PX1200L1-050G5T	1400	INFS, INFCS
0-100	PX1200L1-100G5T	1400	INFS, INFCS
0-250	PX1200L1-250G5T	1400	INFS, INFCS
0-500	PX1200L1-500G5T	1400	INFS, INFCS
0-1,000	PX1200L1-1KG5T	1400	INFS, INFCS
0-1,500	PX1200L1-1.5KG5T	1400	INFS, INFCS
0-2,500	PX1200L1-2.5KG5T	1400	INFS, INFCS
0-5,000	PX1200L1-5KG5T	1400	INFS, INFCS
0-10,000	PX1200L1-10KG5T	1400	INFS, INFCS

Interchangeable with CEC Model 1200

Metric Ranges Available - Consult Engineering

To order Sealed Gage Pressure, change "G" in the part number to "S". No additional charge.

Ordering Examples: 1.) **PX1200L1-100A5T** is a 100 psi Absolute Pressure transducer, with a male pressure connection per MS33656-4 and an integral electrical connector, \$1400. Mating Connector, **PTS06A-10-6S**, \$47 ea. 2.) **PX1200L1-5KS5T** is a 5,000 psi Sealed Gage Pressure transducer, with a male pressure connection per MS33656-4 and an integral electrical connector, \$1400. Mating Connector, **PTS06A-10-6S**, \$47 ea.



Providing long-term stability and reliability, the OMEGADYNE™ PX1200 Sputtered Gage High Output Pressure Transducer is a highly accurate thin film transducer. The thermal sensitivity error band performance is typically better than 0.25% within any 50°F temperature band.

Available in many standard ranges from 15 psi to 10,000 psi, the basic design of the PX1200 features all-welded construction with proven strain isolation.

The PX1200, with integral amplifier, features a common negative input/output to provide three-wire operation. The unique amplifier design achieves a true zero output with reference to the common line.

The PX1200 Sputtered Gage Pressure Transducers are manufactured in accordance with the program quality requirements of MIL-Q-9858A.

SPECIFICATIONS:

Electrical:

Excitation: 12 to 30 Vdc unregulated

Input Current: 35 mA Max.

Output: 0-5.0 Vdc ±0.1 Vdc

Residual Unbalance: ≤ ±2% FSO

Output Impedance: 100 ohms Max.

Combined Linearity, Hysteresis and Nonrepeatability: ±0.25% FSO

Insulation Resistance: 100 megohms or greater at 45 Vdc

Sensing Element: 4 active-arm bridge

Environmental:

Operating Temp Range: -40° to +85°C (-40° to +185°F)

Compensated Temp Range: -29° to +71° (-20° to +160°F)

Thermal Effects: Span: ±0.01% FSO/°F Zero: ±0.01% FSO/°F

Thermal Stability: Span: 0.3% FSO Zero: 0.3% FSO

Vibration Sensitivity: At 35g peak from 10 Hz to 2000 Hz (½" D.A. max.) the output shall not exceed 0.04% FSO/g for 15 psi units decreasing logarithmically to less than 0.002% FSO/g for 10,000 psi units

Shock: Qualification level of 100g, 11 msec half sine wave without damage

Humidity: Per MIL-STD-810, Methos 507.1

Pressure:

Standard Ranges: 0-15, 25, 50, 100, 250, 500, 1000, 1500, 2000, 2500, 5000, and 10,000 psi, Absolute and Gage. Sealed Gage available in ranges of 100 psi and above

Proof Pressure: 200% of rated pressure, not to exceed 15,000 psi

Burst Pressure: 300% of rated pressure, not to exceed 20,000 psi

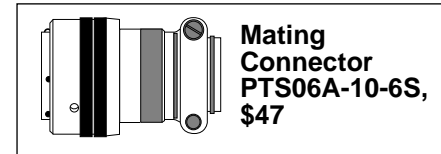
Mechanical:

Wetted Parts: 17-4 PH Stainless Steel

Pressure Fitting: ⅜"-20 male per MS33656-4

Weight: 7 oz. (203g) maximum

Mating Connector: PTS06A-10-6S (not included)



CUSTOM CONFIGURATIONS

SERIES	PRESSURE PORT	ELECTRICAL CONNECTION	RANGE	UNITS	OUTPUT	OPTIONS
PX1200	[1]	[2]	[3]	[4]	[5]	[6]
	L = MS33656-4		015 psi	A,G	5T= 0-5Vdc Output \$1400	CAL5 = 5 point NIST traceable Calibration +\$75 CAL11 = 11 point NIST traceable calibration +\$150
			025	A,G		
			050	A,G		
			100	A,G,S		
			250	A,G,S		
			500	A,G,S		
			1K	A,G,S		
			1.5K	A,G,S		
			2.5K	A,G,S		
			5K	A,G,S		
			10K	A,G,S		
To Order a Custom Configuration: <ol style="list-style-type: none"> Select a Pressure Port Select Electrical Connection Select a Pressure Range Select Pressure Units Select Output Select Options and Agency Approvals 						

Interchangeable with CEC Model 1200

Metric Ranges Available - Consult Engineering

Ordering Example: 1.) **PX1200L1-100A5T** has a MS33656-4 male pressure port, Bendix connector, 100 psi Absolute Pressure Range, and a 0-5Vdc output, **\$1400**. Mating Connector (not included) **PTS06A-10-6S, \$47.00** ea.
 2.) **PX1200L1-100S5T** has a MS33656-4 male pressure port, Bendix style connector, 100 psi Sealed Gage Pressure Range, and a 0-5Vdc output, **\$1400**. Mating Connector (not included) **PTS06A-10-6S, \$47.00** ea.
 3.) **PX1200L1-5KS5T-CAL11** has a MS33656-4 male pressure port, Bendix connector, 5,000 psi Sealed Gage Pressure Range, 0-5Vdc output and an 11 point NIST traceable calibration, \$1400+\$150=**\$1550**. Mating Connector (not included) **PTS06A-10-6S, \$47.00** ea.